

SELF-PROPELLED SCISSOR LIFTS

GS™-2668 DC & GS™ 3268 DC

Specifications

MODELS	GS™-2668 DC		GS™-3268 DC	
MEASUREMENTS	Metric	US	Metric	US
Working height maximum*	9.92 m	32 ft	11.75 m	38 ft
A Platform height	7.92 m	26 ft	9.75 m	32 ft
B Platform length - outside	2.51 m	8 ft 3 in	2.51 m	8 ft 3 in
extended	3.73 m	12 ft 3 in	3.73 m	12 ft 3 in
Slide-out platform extension	1.22 m	4 ft	1.22 m	4 ft
C Platform width - outside	1.55 m	5 ft 1 in	1.55 m	5 ft 1 in
Toeboard height	15 cm	6 in	15 cm	6 in
Platform height - stowed	1.19 m	3 ft 10.75 in	1.31 m	4 ft 3.75 in
D Height - stowed	2.32 m	7 ft 5.5 in	2.45 m	8 ft 3 in
rails lowered	1.70 m	5 ft 7 in	1.83 m	6 ft
E Length - stowed	2.67 m	8 ft 9 in	2.67 m	8 ft 9 in
platform extended	3.89 m	12 ft 9 in	3.89 m	12 ft 9 in
F Width	1.73 m	5 ft 8 in	1.73 m	5 ft 8 in
G Wheelbase	1.85 m	6 ft 1 in	1.85 m	6 ft 1 in
H Ground clearance - centre	19 cm	7.5 in	19 cm	7.5 in

PRODUCTIVITY

Maximum platform occupancy (indoor/outdoor)	4/4	4/4	4/2	4/2
Lift capacity	567 kg	1,250 lbs	454 kg	1,000 lbs
Drive speed - stowed	4.8 km/h	3.0 mph	4.8 km/h	3.0 mph
Drive speed - raised	0.8 km/h	0.5 mph	0.8 km/h	0.5 mph
Gradeability - stowed**	30%	30%	25%	25%
Turning radius - inside	1.52 m	5 ft	1.52 m	5 ft
Turning radius - outside	3.68 m	12 ft 1 in	3.68 m	12 ft 1 in
Raise/lower speed	30/35 sec	30/35 sec	50/37 sec	50/37 sec
Controls	proportional		proportional	
Drive	dual rear wheel		dual rear wheel	
Multiple disc brakes	dual rear wheel		dual rear wheel	
Tyres - low profile foam filled turf	32 x 56 cm	12.5 x 22 in	32 x 56 cm	12.5 x 22 in
Tyres - non-marking	23 x 55 cm	9 x 21.5 in	23 x 55 cm	9 x 21.5 in

POWER

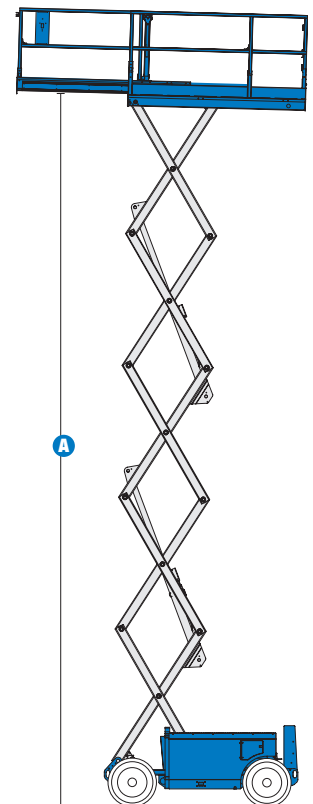
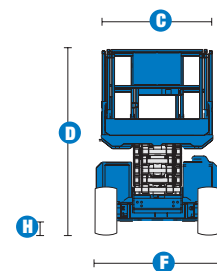
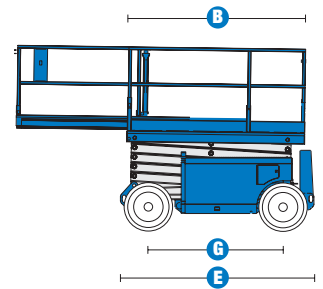
Power source	48 V DC (eight 225 Ah batteries)	48 V DC (eight 225 Ah batteries)
Hydraulic system capacity	36 L	9.5 gal

WEIGHT***

	3,004 kg	6,622 lbs	3,846 kg	8,478 lbs
--	----------	-----------	----------	-----------

STANDARDS COMPLIANCE

CE EN280, PB-10-611-03



* The metric equivalent of working height adds 2 m to platform height. U.S. adds 6 ft to platform height.
 ** Gradeability applies to driving on slopes. See operator's manual for details regarding slope ratings.
 *** Weight varies depending on options and country standards.

Features

STANDARD FEATURES

MEASUREMENTS

GS™-2668DC

- 9.92 m (32 ft) working height
- Up to 567 kg (1,250 lb) lift capacity

GS™-3268DC

- 11.75 m (38 ft) working height
- Up to 454 kg (1,000 lb) lift capacity

PRODUCTIVITY

- 2.51 x 1.55 m (8 ft 3 in x 5 ft 1 in)
- 1.22 m (4 ft) extension deck
- Folding guardrails
- Dual rear wheel drive
- 48 V charger
- Proportional lift and drive
- Onboard diagnostic system
- AC power to platform
- Full height swing gate
- Diamond plate deck
- Lanyard attachment points
- Manual platform lowering valve
- Dual rear wheel disc brakes
- Manual brake release
- Low profile foam filled turf tyres
- Tilt sensor with audible alarm
- Descent alarm
- Horn
- Hour meter
- Certified load sensor

POWER

- 48 V DC system
(eight 6 V 225 Ah batteries)



OPTIONS & ACCESSORIES

PRODUCTIVITY

- Air line to platform
- Solid non-marking tyres 22 x 55 cm (9 x 21.5 in)
- Dual flashing beacons
- Motion alarm
- Platform work lights

POWER

- Power inverter (110 V / 60 HZ)
- Power inverter (230 V / 50 Hz)

Distributed By:

UK

Millennium House
Brunel Drive
Newark NG24 2DE
UK
Tel: +44 (0)1476 584333
Fax: +44 (0)1476 584334

France

10, ZA de la Croix St. Mathieu
28320 Gallardon
France
Tel: +33 (0)2 37 26 09 99
Fax: +33 (0)2 37 26 09 98

Germany

Finienweg 3
28832 Achim/Bremen
Germany
Tel: +49 (0)4202 8852-0
Fax: +49 (0)4202 8852-25

Spain

Gaià 31, Pol. Ind. Plá d'en Coll
08110 Montcada i Reixac
Barcelona
Spain
Tel: +34 93 572 50 90
Fax: +34 93 572 50 91

Scandinavia

Importgatan 17
422 46 Hisings Backa
Sweden
Tel: +46 31 57 51 00
Fax: +46 31 57 90 20

Middle East

Terex Middle East
PO Box 282325, Dubai
U.A.E.
Tel: +971 4 339 1800
Fax: +971 4 339 1802
Email: InfoME@terex.com

Genie United States

18340 NE 76th Street
P.O. Box 97030
Redmond, WA
USA 98073-9730
Tel: +1 425 881-1800
Fax: +1 425 883-3475

Email: AWP-InfoEurope@terex.com