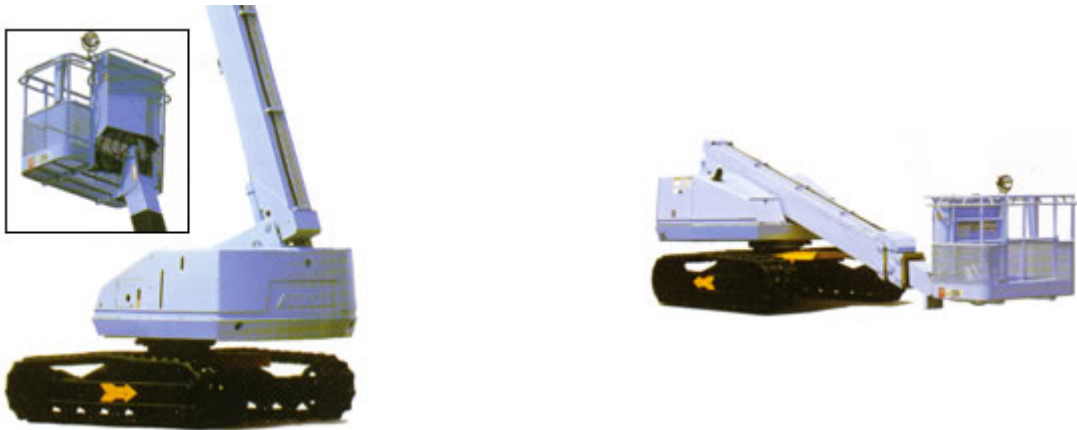


Aichi SR-123

The SR-123 features a crawler superior in travelling on uneven ground. It can be used for various aerial works including steelworks erection at a construction site, painting, electrical work, installation of lighting fixture, piping work, duct, and air-conditioning work. In addition to the safety, high mobility and operation enhance the working efficiency at the site.



Model Number And Model Name

Model Number	SR-123
Model Name	Crawler type self propelled aerial platform

Platform

Max. Load	250kgf
Max. Platform Height	12.0m
Max. Horizontal Outreach	10.6m
Platform Inner Size Standard (D x W x H)	1.83m x 0.75m x 1.1m
Platform Inner Size Option (D x W x H)	1.3m x 0.75m x 1.1m
Platform Rotator	180° hydraulic

Boom

Length	5.0m - 10.9m
--------	--------------

Slewing Device

Slewing Angle	360° continuous
Slewing Speed	0.54 r.p.m.

Travelling

Travelling Speed	0 - 1.5hm/h
Gradability Stowed	24° (45%)

T +32 (0)51 48 90 98
F +32 (0)51 48 63 49

Info@almlift.be



HOOGWERKERS & SCHAARLIFTEN
VERKOOP VERHUUR



Steenovenstraat 54
BE 8760 Meulebeke

www.ALMLIFT.be

Vehicle Dimensions (refer diagram below)

A: Length	6,330mm
B: Width	2,150mm
C: Height	2,200mm
Gross Vehicle Weight	7,650kgf
J: Ground Clearance	360mm
E: Tumbler Center Distance	2,050mm
F: Crawler Center Distance	1,700mm
G: Crawler Shoe Width	450mm
Max. Ground Pressure	0.66kaf/cm ² (9psi)

Power Source

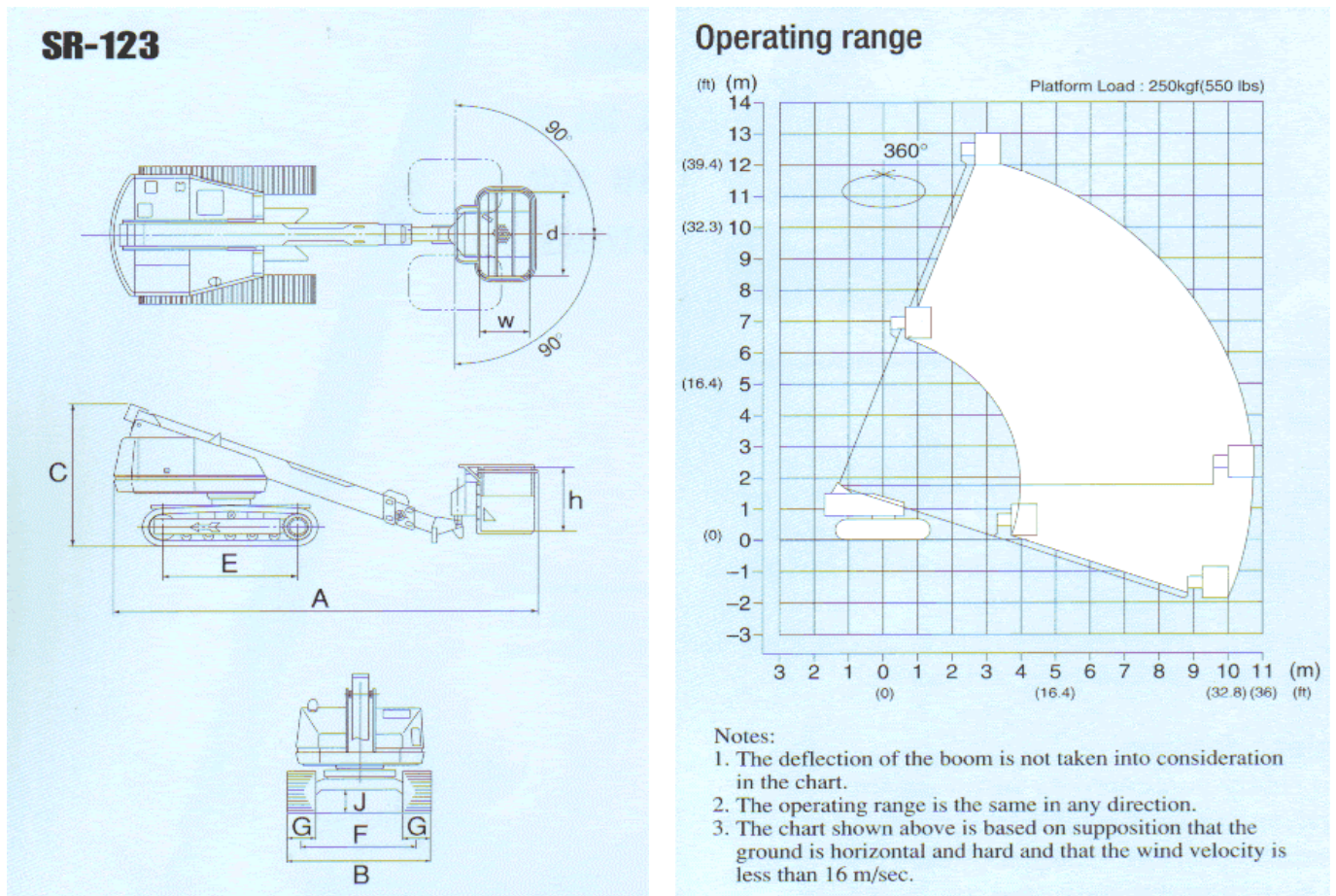
Name And Type	ISUZU 4JB1
Max. Output	55PS (41kw) / 2,200 r.p.m.
Displacement	2,771cc
Voltage	24V DC
Fuel Tank Capacity	108L (28.5 gal)

Hydraulics

Pressure	210kgf/cm ² (2,980psi)
Reservoir Capacity	170L

SR-123 Overall Dimensions

SR-123 Working Range Chart



T +32 (0)51 48 90 98
F +32 (0)51 48 63 49

Info@almlift.be



HOOGWERKERS & SCHAARLIFTEN
VERKOOP VERHUUR



Steenovenstraat 54
BE 8760 Meulebeke

www.ALMLIFT.be